

**Central Office – P.O. Box 30099, Nairobi, Kenya  
 Telephone – 254-02-3201000  
 Fax No. 254-02-3514485  
 StimaPlaza, Kolobot Road  
 Nairobi, Kenya**

**Our Ref: KP1/9AA-3/PT/21/15-16/mm**

**22<sup>nd</sup> September, 2015**

M/s .....

**RE: ADDENDUM NO. 3 TO THE TENDER NO. KP1/9AA-3/PT/21/15-16 FOR SUPPLY POLE MOUNTED BOXES**

We make the following clarifications and amendments to the above Principal Tender Document (hereinafter abbreviated as the PTD) for the Supply of Pole Mounted Meter Boxes dated August 2015.

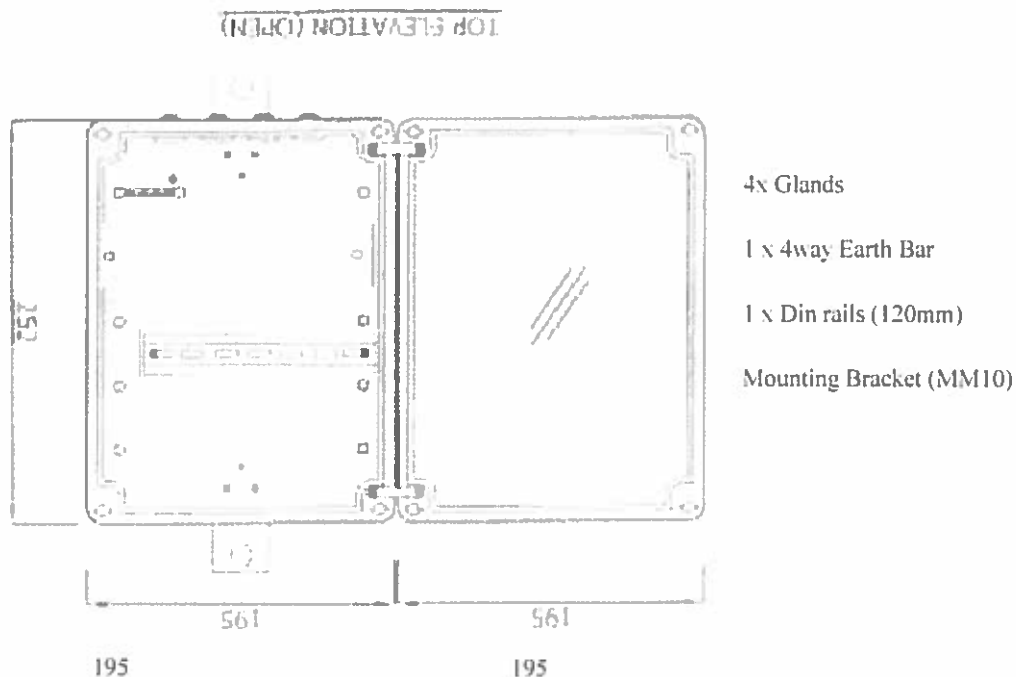
**1. RELATIONSHIP WITH THE PRINCIPAL TENDER DOCUMENT**

Save where expressly amended by the terms of this Addendum, the PTD shall continue to be in full force and effect. The provisions of this Addendum shall be deemed to have been incorporated in and shall be read and construed as part of the PTD.

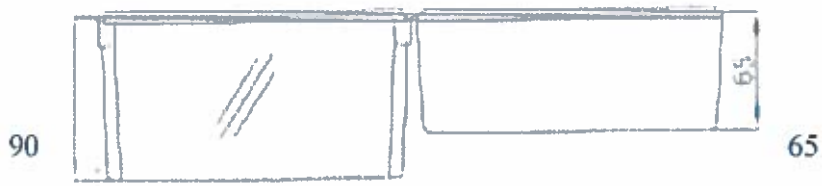
**2. CLARIFICATION HAVE BEEN SOGHT AS FOLLOWS:**

METER BOX, POLE MOUNTED S/PH I-ME

12.1 Details of pole mounted meter board.



TOP ELEVATION (OPEN)



SIDE ELEVATION (OPEN)

Fig. 1 Dimension of pole mounted Meter board

12.3 Overview of the complete meter board.

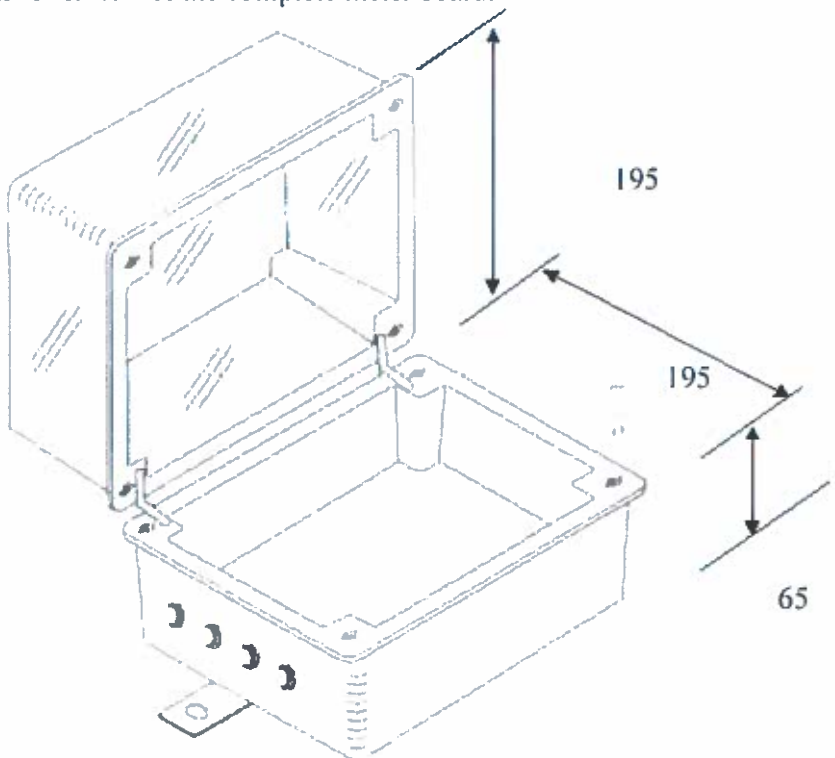


Fig. 3. Meter board general overview.

*Clause 11.1.1 to read*

11.1.1 The meter board shall measure 252 mm (Height) x 195 mm (width) x 155 mm (Depth) top cover inclusive.

APPENDIX A

CLAUSE	KPLC EQUIREMENT	MANUFACTURER'S COMPLIANCE REMARKS	REFERENCE PAGE IN THE SUBMITTED DOCUMENTS
11.1.1	The meter box shall measure 252 mm (Height) x 195 mm (width) x 155 mm (Depth) top cover inclusive		

**3. CLOSING DATE**

The closing has been changed from Thursday 1<sup>st</sup> October, 2015 to Tuesday 6<sup>th</sup> October, 2015.

All other terms and conditions remain as per the Principal Tender Document (PTD).

Yours faithfully,

**FOR: THE KENYA POWER & LIGHTING COMPANY LIMITED**

  
**BERNARD NGUGI**  
**AG. GENERAL MANAGER SUPPLY CHAIN.**

